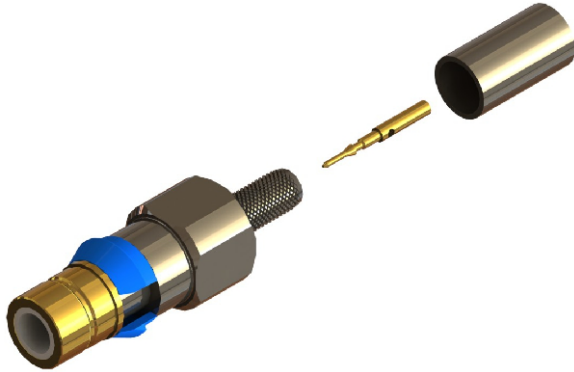
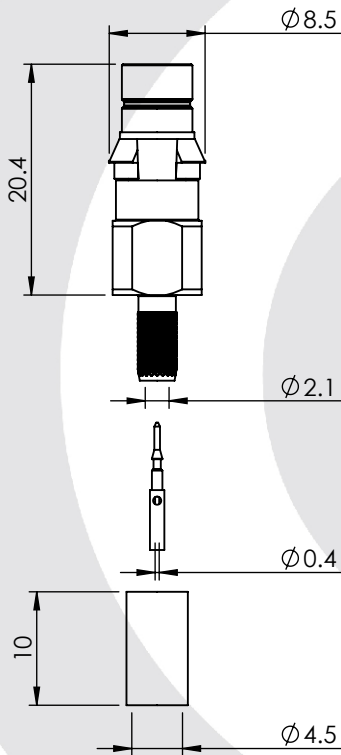


## HD43 STRAIGHT CRIMP/CRIMP PLUG 5GTIS 43-012-D6-BD



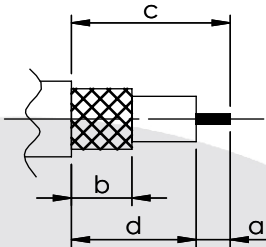
images for illustration purposes only



### Suitable for Cables:

(BD) BT3002, TZC75024, TZC75025

### Stripping Dimensions



a = 4.5 mm  
b = 8.0 mm  
c = 21.0 mm  
d = 16.5 mm

\* CUT FOIL TO DIM. "b"

### Assembly Procedure: AP023

### Tooling

Centre Contact: Square Crimp Tool No: HTS-43

Crimp Sleeve: HEX 4.52mm A/F Tool No: HTS-43

Alignment Tool: Not Applicable Extraction: 96-832-TOOL

### Environmental Specification

Operating Temp: -40 to +100 Deg C

IP Rating (Mated): NONE

### Electrical Specification

Impedance: 75 Ohm

Frequency: 0 - 3 GHz

Dielectric W/V: 1500 Veff

Insulation res: 5000 M-Ohm

### Mechanical Specification

Contact Retention: 22 N min

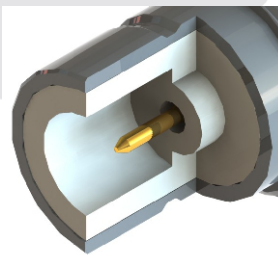
Cable Retention: 150 N min

Mating cycles: 250

Weight: 6.10 g

### Connector Interface

image for illustration purposes only



5	RETAINING RING	PBT	N/A
4	CRIMP SLEEVE	BRASS	NICKEL
3	INSULATOR	PTFE	N/A
2	CENTRE CONTACT	PHOSPHOR BRONZE	GOLD
1	BODY	BRASS	NICKEL/GOLD
ITEM	DESCRIPTION	MATERIAL	PLATING

<b>A4</b>	SHEET 1 OF 1	DIMENSIONS ARE IN MILLIMETRES				
REVISION :	B03		NAME	SIGNATURE	DATE	
DRAWN	GE				06/03/2005	
ISSUE :	2		CHK'D	SJ		05/04/2005
			APPV'D			
<b>6-8 COLNE ROAD, TWICKENHAM, MIDDLESEX. TW1 4JR</b>						
<small>THE INFORMATION IS GIVEN AS AN INDICATION ONLY AND IS SUBJECT TO CHANGE WITHOUT NOTICE. IN THE CONTINUAL GOAL TO IMPROVE OUR PRODUCTS, WE RESERVE THE RIGHT TO MAKE ANY MODIFICATIONS NECESSARY WITHOUT PRIOR NOTICE.</small>						